

LEGEND	
1.	Access floor panel
2.	1/4" - 20 X 1.048" (26.5mm)
3.	0.114" (3mm) thick die formed galv. steel head
4.	Steel stud 3/4-10 UNC
5.	Nut with vibration proof locking device
6.	Base with 1-1/4" (31.75mm) O.D. hot dipped galv. tubing
7.	6" x 6" (150mm x 150mm) x 9ga. (3.6mm) galvanized steel base plate
8.	1/8" (3.6mm) Fillet weld

PEDESTAL SPECIFICATIONS

Pedestal Assembly

- Assembly up to 36" (900mm) FFH shall provide a 6,000 lb. (2720 kg) axial load without permanent deformation.
- Assembly shall provide a 2" (50 mm) total adjustment.

Pedestal Head

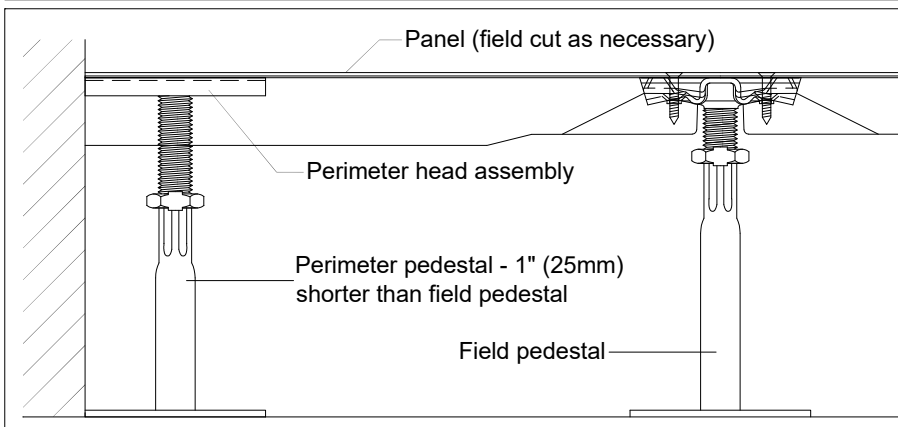
- 0.114" (3mm) thick die formed galvanized steel pedestal head projection welded to a threaded rod with adjustment nut.
- Pedestal head shall have tapped holes for engagement of PosiLock screws and shall incorporate alignment guides and locating points to laterally contain and positively position the floor panel with or without the use of screws.
- Solid steel stud shall be 3/4-10 UNC.
- PosiLock fastener shall be self capturing 1/4" - 20 flat-head machine screw.
- Nut shall be 3/4-10 UNC with corrosion resistant coating.

Pedestal Base

- Pedestal tube to be 1-1/4" (31.75 mm) diameter hot dipped galvanized tubing and shall be reduced to 3/4" (19mm) inner diameter by crimping.
- Base plate to be 36" (232 cm) square and hot dipped galvanized steel and shall have (2) 7/16" (11 mm) diameter holes and (2) 3/16" (4.75 mm) diameter holes for mechanical fastening applications.

Perimeter

- Perimeter pedestal assembly with hat channel shall provide support for panels around columns, at walls, curbs and fascia.
- Pedestal base at perimeter shall be 1" (25mm) shorter than base in field area.



Tate reserves the right to amend product information without prior notice. Care has been taken to ensure that the contents of this publication are accurate, but Tate, its parent company and its subsidiary companies do not accept responsibility for errors or information that is found to be misleading or outdated. Suggestions for, or descriptions of, technical specifications and the end user or application of products are provided and must be verified prior to use. To ensure you are viewing the most recent and accurate product information, please scan the QR code.