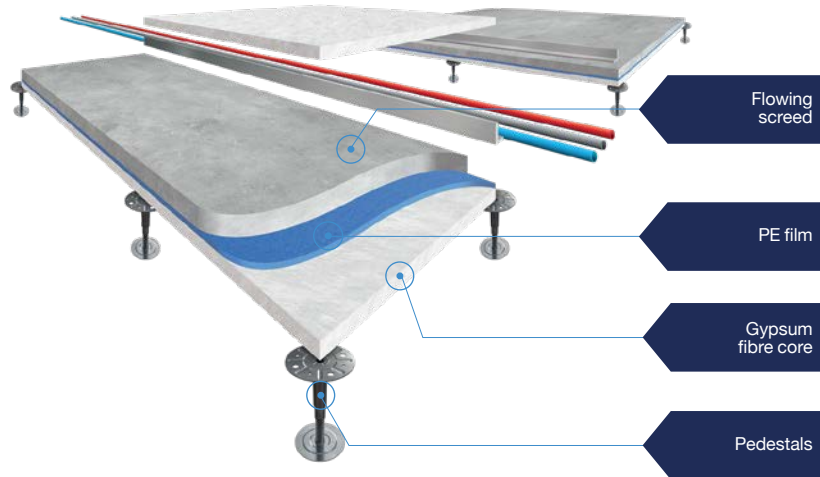


# LK 5-600-19 Fermacell

## LOAD CLASS 5

The Tate Ecoprime hollow floor system LK5-600/19 was designed for a load according to DIN EN 13213: 2001, load class 5. They are used in rooms where there is a high cable density for electrical supply or data transfer and high flexibility for use is required, such as in offices, ticket halls, exhibition rooms or libraries. Due to the excellent sound improvement properties, the use in multi-storey buildings is often possible without additional requirements for the shell construction.



Special features	
Column spacing area	600 mm
Column spacing edge	600 mm
Screed thickness area	38 mm
Screed thickness edge	56 mm
System panel thickness	19 mm
System plate dimensions	1200 x 600 mm

Substructure	
Pedestal	Height adjustable steel pedestals M12 (F1 - F6), for higher constructions M16/M20

Statics according to DIN EN 13213: 2001	
Load class	5
Working load	5 kN
Safety factor	2

Fire protection according to DIN 4102-2: 1977	
Building material class 4102	non-flammable
Fire-resistance class	F30 up to clear heights of 300 mm

## Sound insulation according to DIN EN ISO 140: 2005 and DIN EN ISO 10140: 2021

Impact sound reduction (horizontal) (Ln,f,w,P)	
without covering	75 dB
with covering	51 dB
Airborne sound reduction (Dn,f,w,P)	
without covering	56 dB
Impact sound reduction (vertical) (ΔLw,P)	
without covering	19 dB
with covering	25 dB
with bottom sound pad, without covering	*26 dB
with top sound pad, without covering	**24 dB
with top PE-sound pad, without covering	21 dB

Note:  
It should be noted that the use of sound pads can impact the system's rigidity. As a result, limitations with regard to the aforementioned load capacity must be taken into account.

Depending on the covering used, the sound values may differ. According to the manufacturer's specifications, the impact sound reduction resulting from the floor coverings ranges between ΔLw:18–30 dB. If you require detailed information regarding the sound values, please feel free to contact the technical department.

\*Sound pad ø 60 x 5 mm  
\*\*Sound pad ø 100 x 2 mm



Please scan the QR code or click [here](#) to go to the current product page.



### Tate Global GmbH

Zum Stadion 4, 63808 Haibach, Germany  
T: +49 (0) 6021 63949-0 E: infoDE@tateglobal.com W: tateglobal.com/de

© 2025 Tate Global GmbH.  
Tate Global GmbH reserves the right to amend or add to the product specifications without prior notice as part of our commitment to continuous improvements and the observance of legal changes.

tate-ecoprime-lk5-600-19-fermacell-datasheet-en-de-v2 1/2026



#planetpassionate

# LK 5-600-19 Fermacell

The Tate hollow floor system Ecoprino LK5-600/19 was designed for a load according to DIN EN 13213: 2001, load class 5. This classification provides for a working load of 5,000 N and a breaking load of  $\geq 10,000$  N.

### Static measures

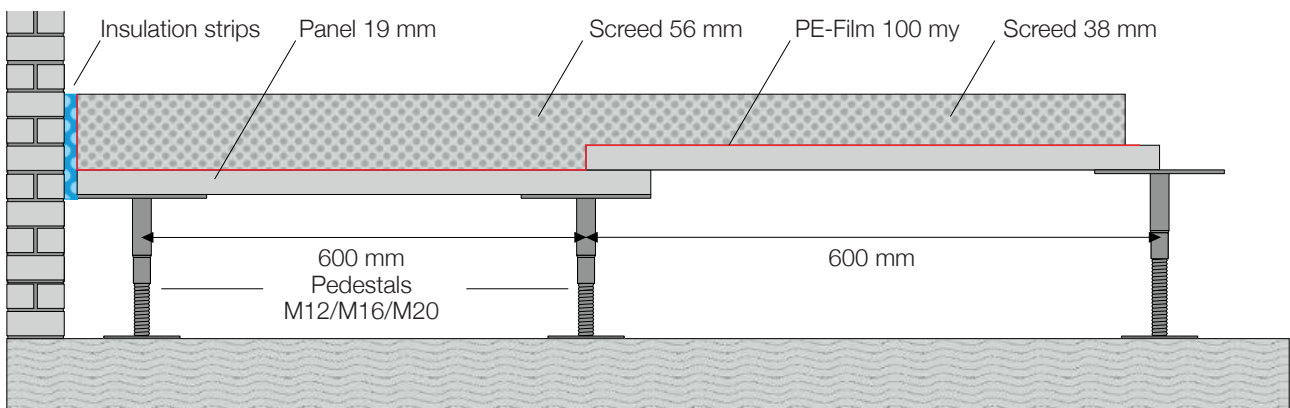
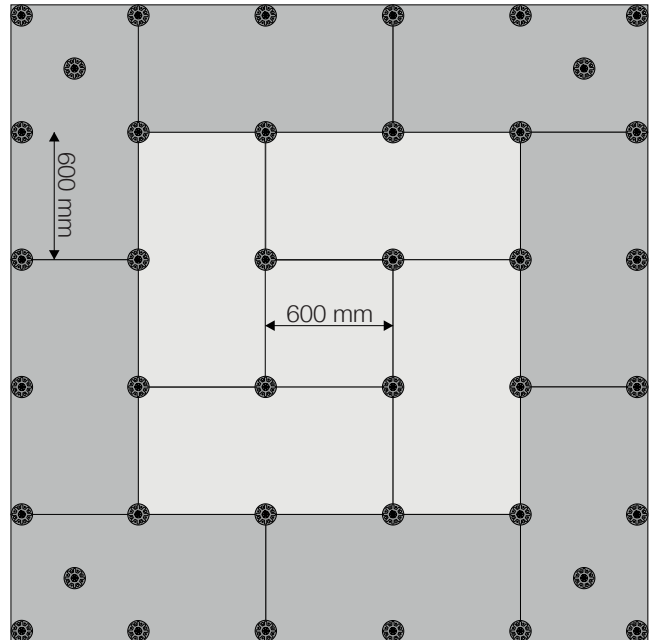
All pedestals can be installed with a maximum spacing of 600 mm in the surface and in the edge area. Additional pedestals must be installed in the corner areas for static reasons. For static reasons, the panels are installed overlapping in the edge area (see drawing). This increases the screed thickness by the thickness of the system panel.

### Increase sound insulation requirements

If increased sound insulation is required, special insulation panels can be used in the support area.

### Fire protection

The system is tested according to ABP F30 according to DIN 4102-2: 1977 (clear height up to 300 mm with appropriate substructure).



Please scan the QR code or [click here](#) to go to the current product page.