

PEDESTAL SPECIFICATIONS

Pedestal Assembly

- Assembly up to 24" (610 mm) FFH shall provide an 2721 kg. axial load without permanent deformation.
- Assembly shall provide a 2" (50 mm) total adjustment with a floor height of 6" (150 mm)
- Standard finished floor heights from 6" to 24" (150mm to 610mm). For other finished floor heights please contact the Tate Technical Hotline @ 800-231-7788. For seismic conditions, refer to seismic submittal details.

Pedestal Head

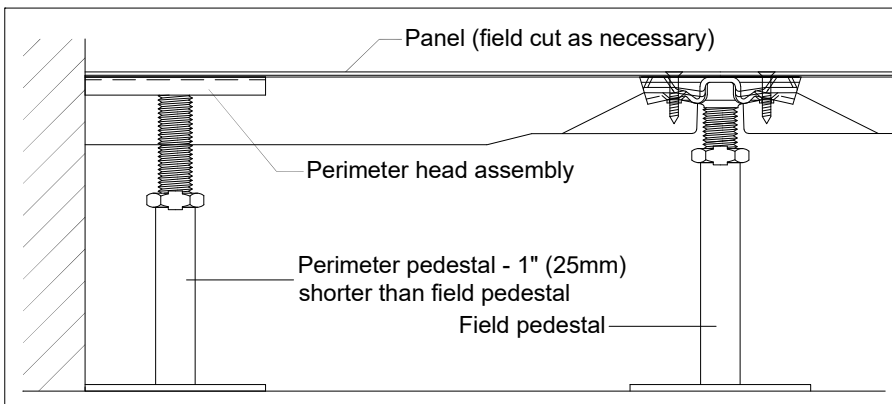
- Die formed hot-dip galv. steel pedestal head projection welded to a threaded rod with adjustment nut.
- Pedestal head shall have tapped holes for engagement of PosiLock screws and shall incorporate alignment guides and locating points to laterally contain and positively position the floor panel with or without the use of screws.
- PosiLock fastener shall be self capturing 1/4" - 20 flat-head machine screw.
- Steel stud shall be 3/4" - 10 UNC.
- Nut shall be 3/4" - 10 UNC with corrosion resistant coating.
- Stud shall provide an anti-rotation feature when engaged with the pedestal base assembly for FFH of 6" (150mm) or higher.

Pedestal Base

- Base to be at least 16" (100 cm) and hot dipped galvanized steel and shall have (2) 7/16" (11 mm) diameter holes and (2) 3/16" (4.7 mm) diameter holes for mechanical fastening applications.
- Pedestal tube shall be 7/8" (22 mm) square x 16 ga. wall galvanized tubing.

Perimeter

- Perimeter pedestal assembly with hat channel shall provide support for panels around columns and at walls.
- Pedestal base at perimeter shall be 1" (25 mm) shorter than base in field area.



Tate reserves the right to amend product information without prior notice. Care has been taken to ensure that the contents of this publication are accurate, but Tate, its parent company and its subsidiary companies do not accept responsibility for errors or information that is found to be misleading or outdated. Suggestions for, or descriptions of, technical specifications and the end user or application of products are provided and must be verified prior to use. To ensure you are viewing the most recent and accurate product information, please scan the QR code.